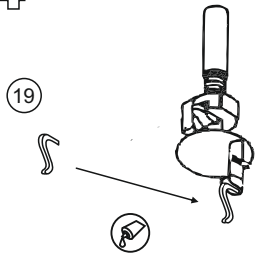
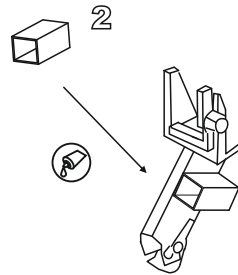


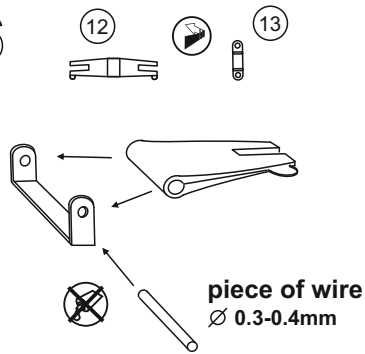
14



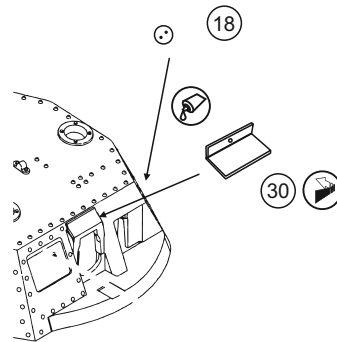
15



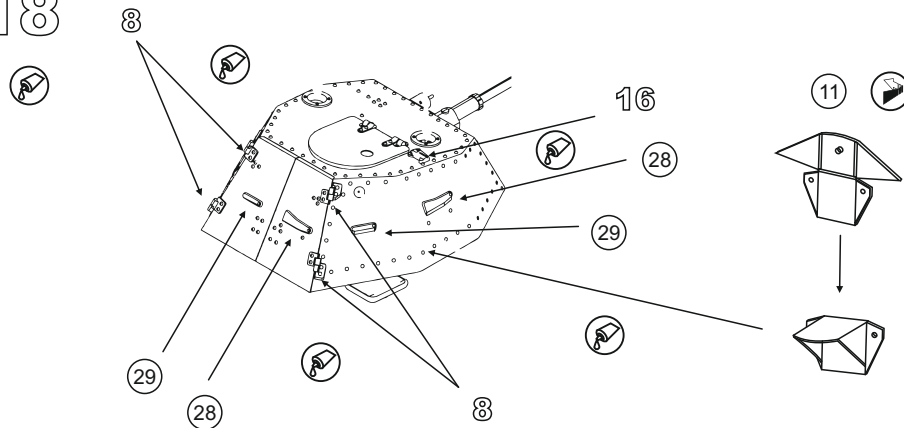
16



17

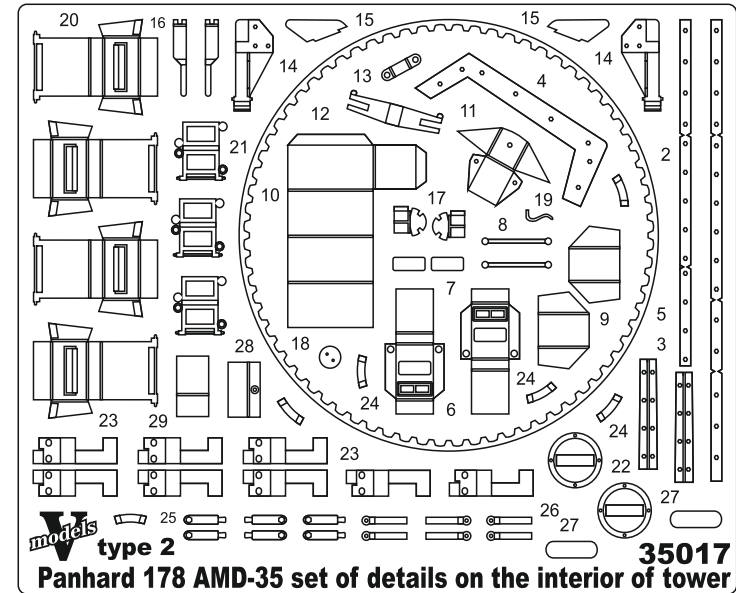








18



**Panhard 178 AMD - 35 set of details on the interior of tower type 2 ("ICM" model kit) 35017 1/35**

Photoetched parts



-  Bend
-  Glue
-  Symmetrical assembly
-  Remove
-  Do not glue
-  Use the abrasive

<http://vmodels-art.com/>  
vmodels2015@gmail.com  
+38 066 05 08 131

