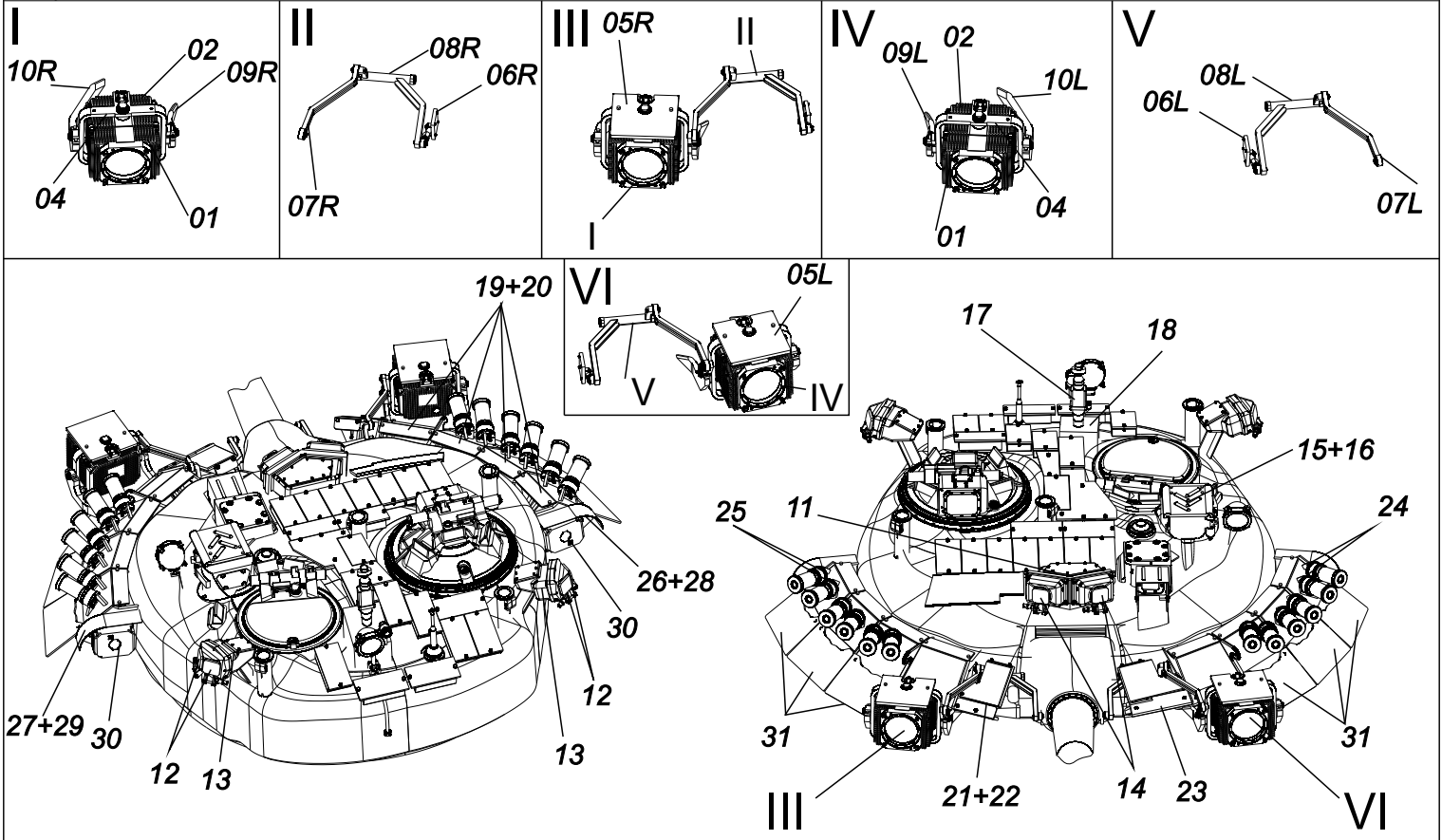


T-80UK Conversion set

CAUTION!
Resin parts can only be glued using cyanoacrylate
glues. Work in a well ventilated area. Do not inhale
vapors since these can be harmful.



T-80UK Conversion set

CAUTION!
Resin parts can only be glued using cyanoacrylate
glues. Work in a well ventilated area. Do not inhale
vapors since these can be harmful.

