

# 7,5cm gun barrel with muzzle brake for German tank PANTHER Ausf. G

Lufa do niemieckiego czołgu PANTHER model G

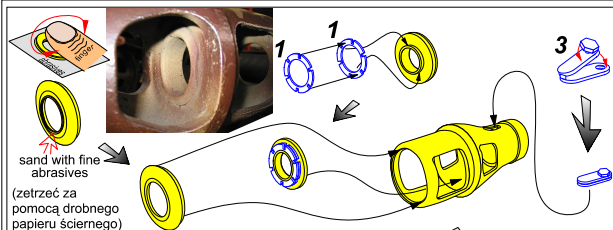
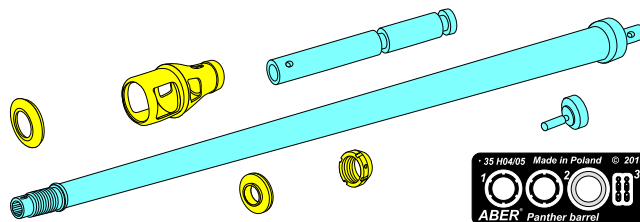
1/35 scale update fit to RYE FIELD model

## ABER®

## 35 L-246

WWW.ABER.NET.PL

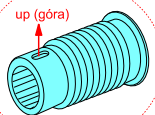
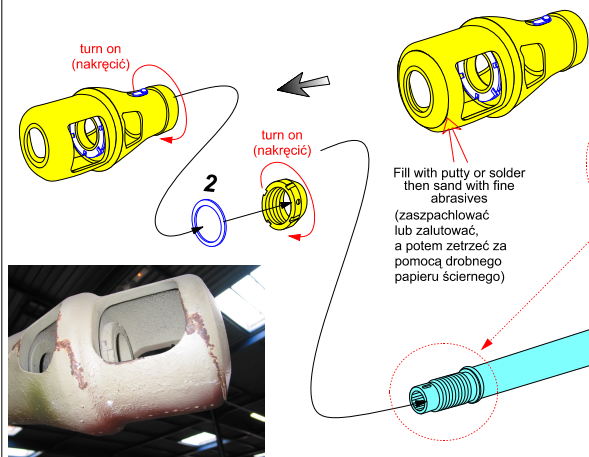
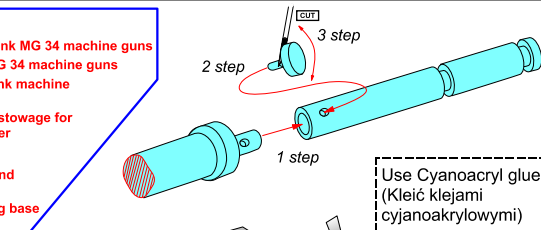
Made in Poland © 2018



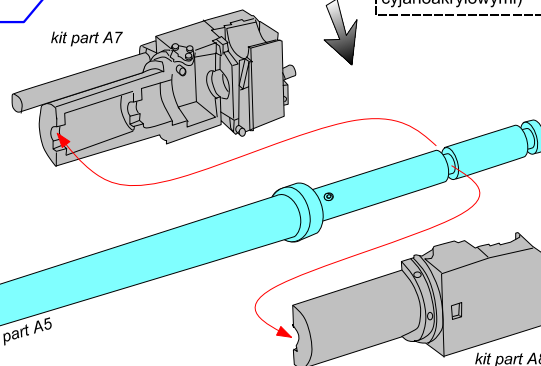
### SEPARATELY SOLD:

- 35 L-63 - Set of 2 barrels for German Tank MG 34 machine guns
- 35 L-70 - Set of 2 barrels for German MG 34 machine guns
- 35 L-98 - Set of 2 barrels for German tank machine gun MG 34 with Panzermaite
- 35 R-23 - Cleaning rod and spare aerial stowage for German Panther & Jagdpanther
- 35 R-26 - German 2 m antenna rods
- 35 R-30 - German aerials set for command tanks 1,4m; 1,8m & 2m
- 35 R-42 - German 2 m antennas with ring base

Scour metal parts before using  
(Odtłuścić metalowe części przed użyciem)



Replace kit part A5



Please note that, for purpose of improvement ABER sets designs are subjects to change without notice.  
Proszę mieć na uwadze fakt, że zestawy ABER mogą ulec zmianie ze względu na ulepszenia, bez powiadomienia.

**WARNING**  
Any unauthorized copying, producing and reproducing of ABER company products, or any part thereof, is strictly prohibited and any such action establishes liability for a civil action and may give rise to criminal prosecution.

We advise that better method to join metal to metal is soldering.  
Use ABER soldering solution AF20 (doradzamy łączenie części metalowych za pomocą lutowni. Zastosuj nasz topnik AF20)