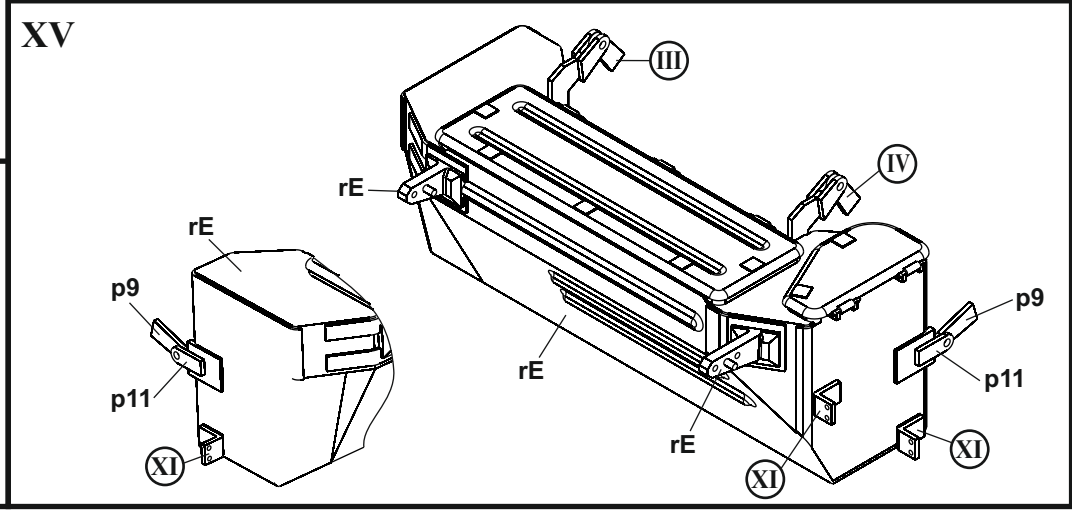
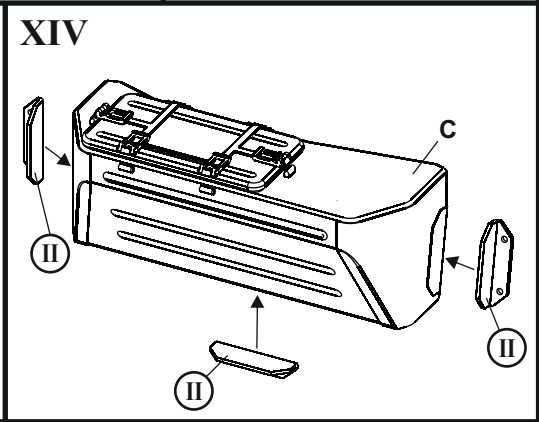
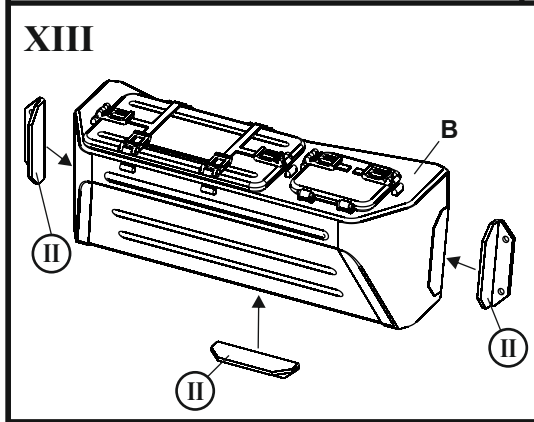
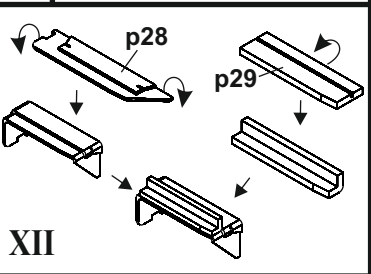
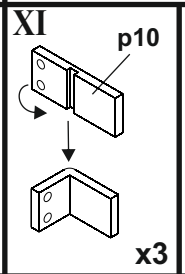
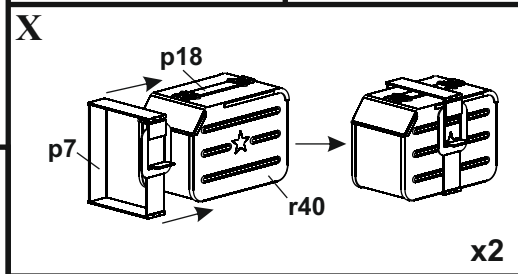
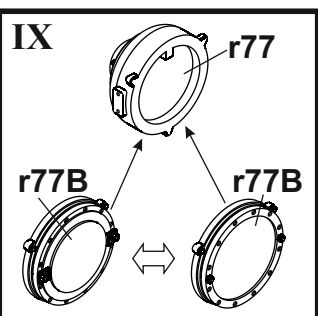
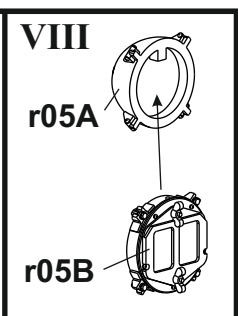
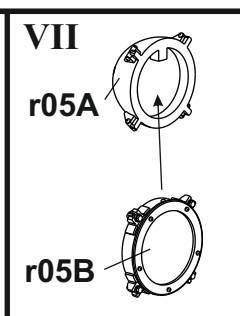
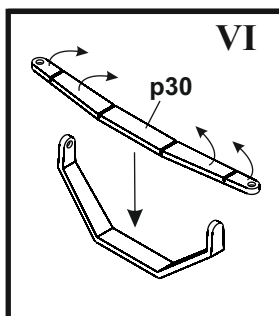
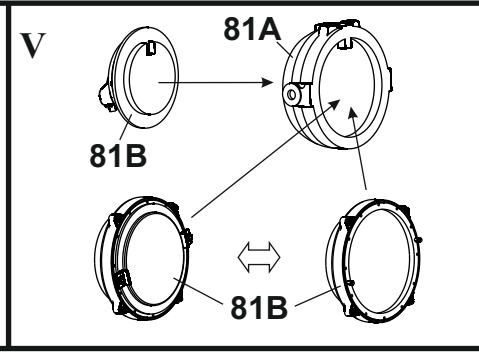
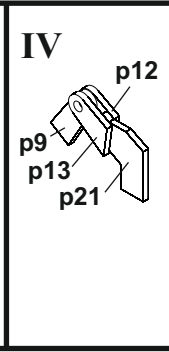
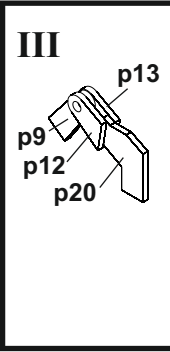
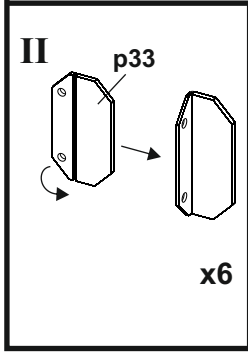
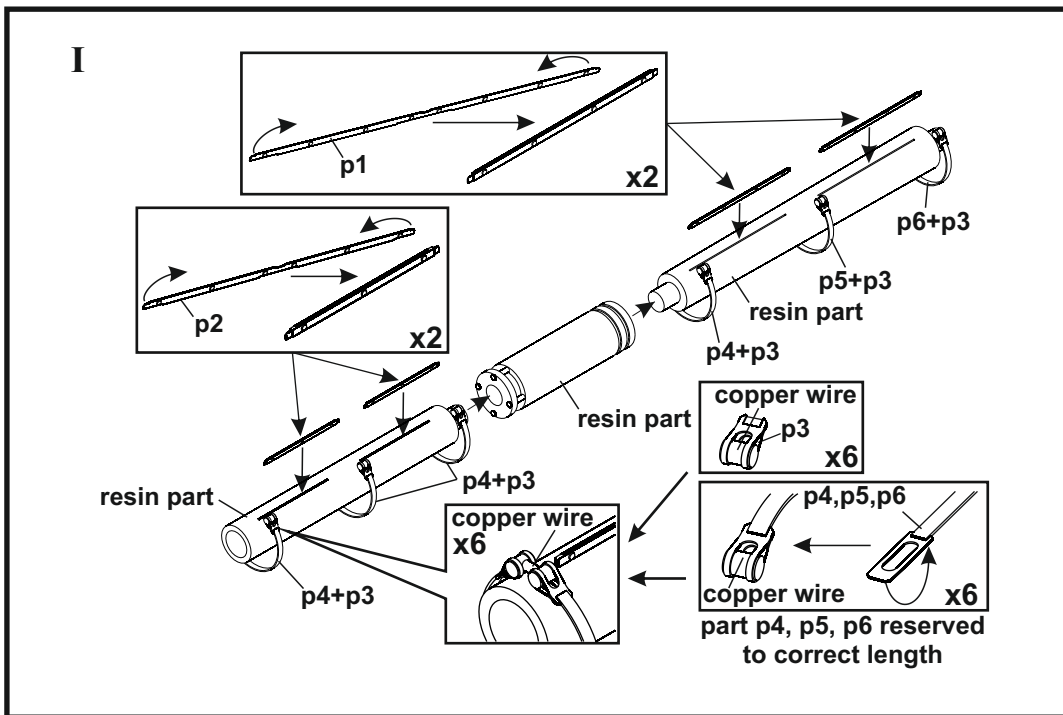


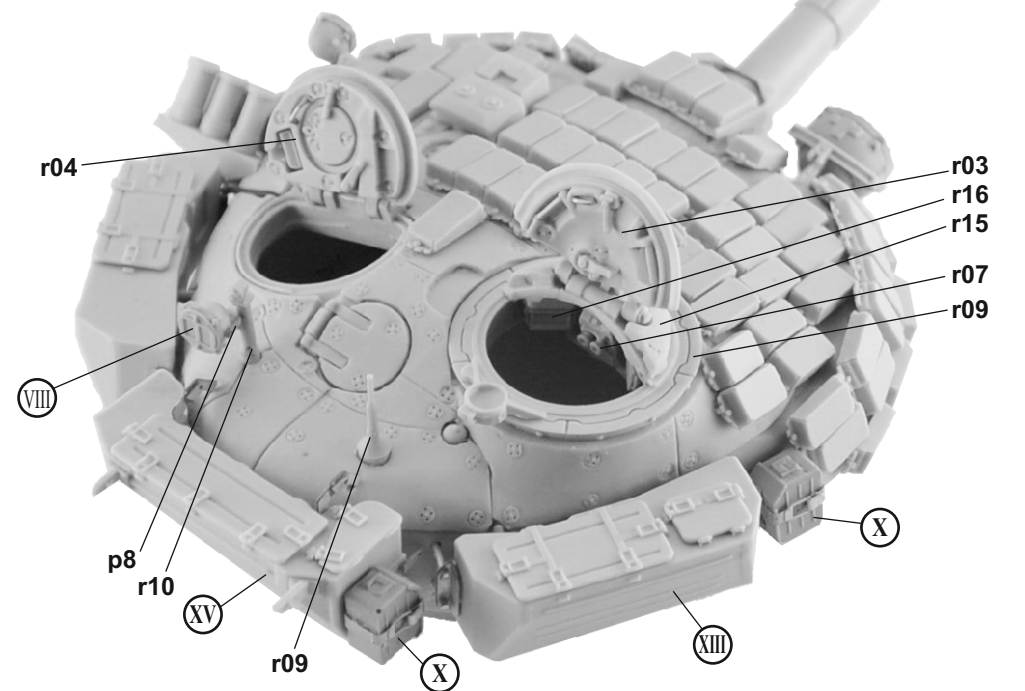
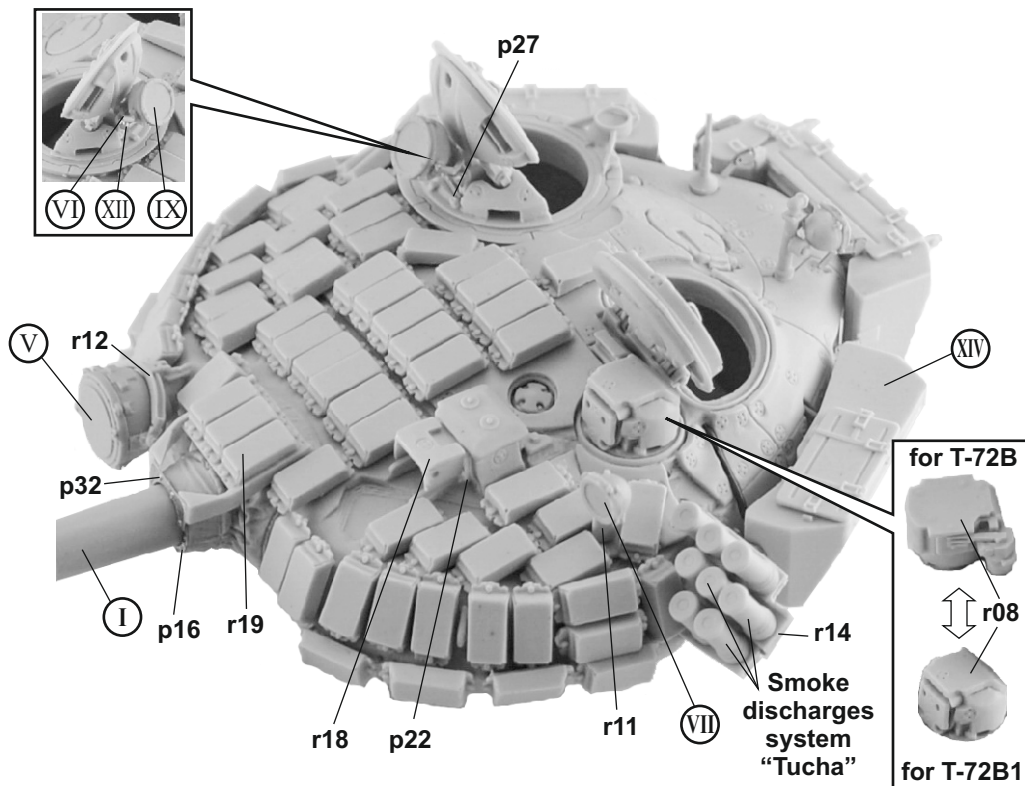
B 35029

TURRET T-72B/B1 m1984

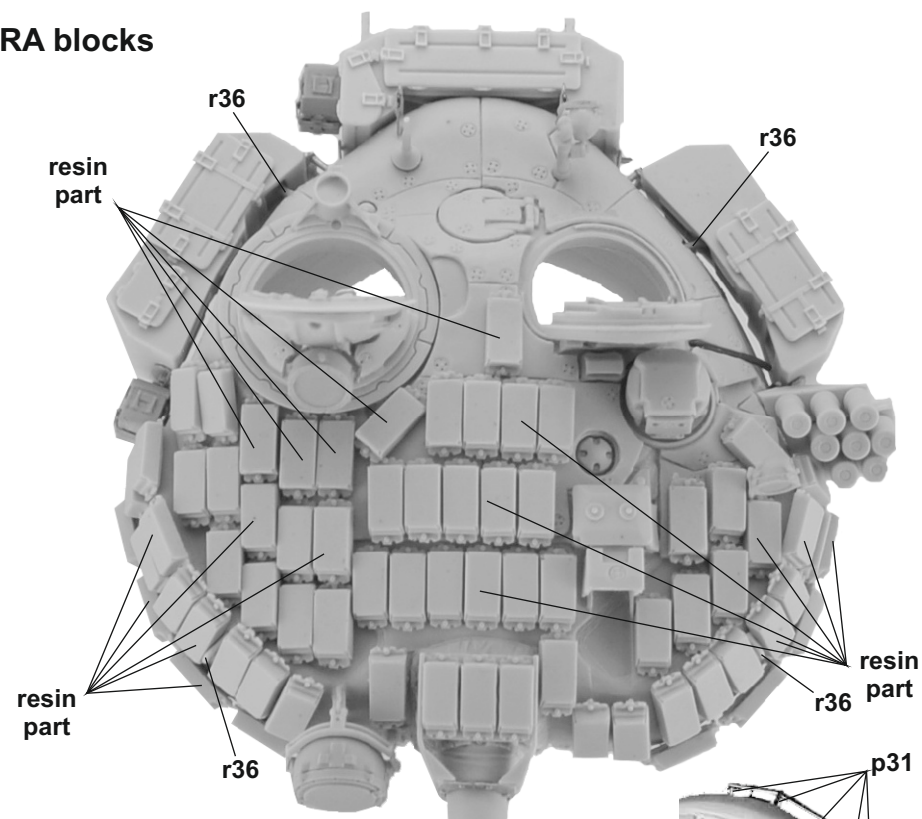
**INCLUDES RESIN PARTS (r), PHOTOETCH PARTS (p)
FOR TRUMPETER, MENG, TAMIYA KITS**

CAUTION!
Resin parts can only be glued using cyanoacrylate glues. Work in a well ventilated area. Do not inhale vapors since these can be harmful.

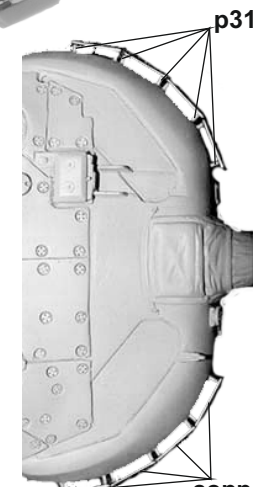
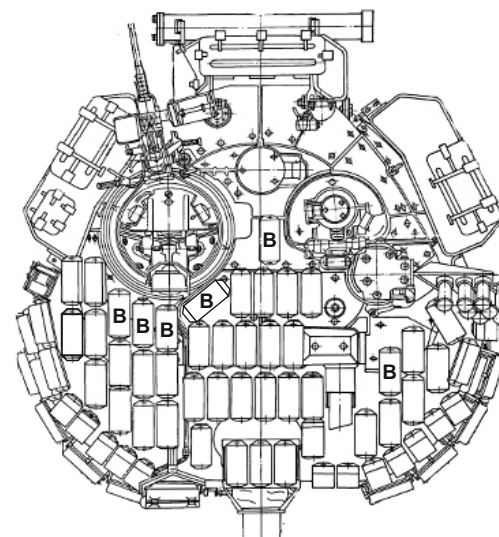
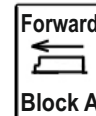
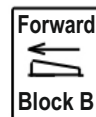




ERA blocks



ERA blocks "Contact-3"



copper wire 8.5 mm

